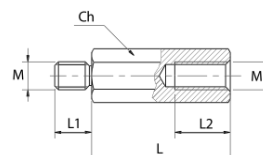


GOGASHIELD DZM Metallische Abstandshalter / metallic spacer

Hexagonales Profil / hexagonal profile

Material / material: Stahl verzinkt / zinc plated steel class
Zugfestigkeit / tensile strength: 500N/mm²

Typ	L	M	Ch	L1	L2	VPE	ArtNr	€
type	length	thread	Schlüsselweite wrench size	length	length	PU		/Stk. /pc.
DZM 10M4	10	M4	7	8	6	100	2566010080607M4	0,75
DZM 10M5	10	M5	8	8	6	100	2566010080608M5	0,76
DZM 10M6	10	M6	10	10	6	100	2566010100610M6	0,83
DZM 15M4	15	M4	7	8	10	100	2566015081007M4	0,75
DZM 15M5	15	M5	8	8	6	100	2566015080608M5	0,77
DZM 15M6	15	M6	10	10	10	100	2566015101010M6	0,88
DZM 20M3	20	M3	6	6	10	100	2566020061006M3	0,65
DZM 20M4	20	M4	7	8	10	100	2566020081007M4	0,77
DZM 20M5	20	M5	8	8	10	100	2566020081008M5	0,79
DZM 20M6	20	M6	10	10	12	100	2566020101210M6	1,01
DZM 20M8	20	M8	13	14	14	100	2566020141413M8	1,17
DZM 25M4	25	M4	7	8	10	50	2566025081007M4	0,82
DZM 25M5	25	M5	8	8	10	50	2566025081008M5	0,83
DZM 25M6	25	M6	10	10	12	50	2566025101210M6	0,99
DZM 25M8	25	M8	13	14	14	50	2566025141413M8	1,30
DZM 30M4	30	M4	7	8	10	50	2566030081007M4	0,86
DZM 30M5	30	M5	8	8	10	50	2566030081008M5	0,88
DZM 30M6	30	M6	10	10	12	50	2566030101210M6	1,03
DZM 30M8	30	M8	13	14	14	50	2566030141413M8	1,28
DZM 35M4	35	M4	7	8	10	50	2566035081007M4	0,87
DZM 35M5	35	M5	8	8	10	50	2566035081008M5	0,93
DZM 40M4	40	M4	7	8	10	50	2566040081007M4	0,89
DZM 40M5	40	M5	8	8	10	50	2566040081008M5	0,94
DZM 40M6	40	M6	10	10	12	50	2566040101210M6	1,30
DZM 40M8	40	M8	13	14	14	50	2566040141413M8	1,51
DZM 50M4	50	M4	7	8	10	50	2566050081007M4	0,93
DZM 50M5	50	M5	8	8	10	50	2566050081008M5	0,99
DZM 50M6	50	M6	10	10	12	50	2566050101210M6	1,20
DZM 50M8	50	M8	13	14	14	50	2566050141413M8	1,62
DZM 60M4	60	M4	7	8	10	50	2566060081007M4	0,96
DZM 60M5	60	M5	8	8	10	50	2566060081008M5	1,02
DZM 60M6	60	M6	10	10	12	50	2566060101210M6	1,26
DZM 70M4	70	M4	7	8	10	25	2566070081007M4	1,11
DZM 70M5	70	M5	8	8	10	25	2566070081008M5	1,19
DZM 70M6	70	M6	10	10	12	25	2566070101210M6	1,45
DZM 70M8	70	M8	13	14	14	25	2566070141413M8	2,04
DZM 80M5	80	M5	8	8	10	25	2566080081008M5	1,24
DZM 80M6	80	M6	10	10	12	25	2566080101210M6	1,52
DZM 90M4	90	M4	7	8	10	25	2566090081007M4	1,17
DZM 90M5	90	M5	8	8	10	25	2566090081008M5	1,29
DZM 90M6	90	M6	10	10	12	25	2566090101210M6	1,59
DZM 100M6	100	M6	10	10	12	25	2566100101210M6	1,67



Preise gültig ab 01.01.2024 exkl. MwSt., freibleibend, Auftragsrabatt auf Anfrage /
prices are valid from 01.01.2024 excl. VAT, subject to change, discounts upon request
sonst. Konditionen siehe www.gogatec.com/AGB.pdf, techn. Änderungen vorbehalten /
terms & conditions can be found on our website: www.gogatec.com/AGB.pdf; error, technical modifications and variations are reserved

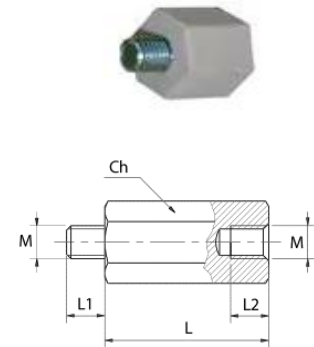
GOGASHIELD DZP Kunststoff-Abstandshalter / plastic spacer

Material / material: Polystyrene
 Selbstverlöschend / self-extinguishing: UL94-V2
 Max. Betriebstemperatur / max. operating temperature: 90°C
 Isolierungsspannung / isolation voltage: 1.000 V



Einsätze aus galvanisiertem Stahl / inserts made of galvanized steel

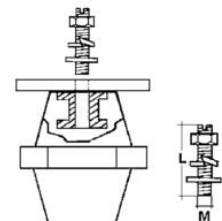
Typ	L	M	Ch	L1	L2	VPE	ArtNr	€
type	length	thread	mm	mm	mm	Stk. PU		/Stk. /pc.
DZP 15M5	15	M5					2565015070713M5	2,63
DZP 15M6	15	M6					2565015070713M6	2,72
DZP 20M5	20	M5					2565020070713M5	2,71
DZP 20M6	20	M6					2565020070713M6	2,77
DZP 30M5	30	M5					2565030070713M5	2,85
DZP 30M6	30	M6					2565030070713M6	3,05
DZP 45M5	45	M5	13	7	7	50	2565045070713M5	3,21
DZP 45M6	45	M6					2565045070713M6	3,28
DZP 55M5	55	M5					2565055070713M5	3,45
DZP 70M5	70	M5					2565070070713M5	3,52
DZP 70M6	70	M6					2565070070713M6	3,50
DZP 85M5	85	M5					2565085070713M5	3,63
DZP 120M5	120	M5					2565120070713M5	3,78
DZP 120M6	120	M6					2565120070713M6	3,84



GOGASHIELD ISO Gewindestifte f. Isolatoren / screws f. isolators

Material / material: Stahl verzinkt Klasse 8.8 / zinc plated steel class 8.8
 Bestehend aus / composed of: Mutter, Unterlegscheibe und Sprengring / nut, washer and retaining ring

Typ	L	M	VPE	ArtNr	€
type	length	thread	Stk. PU		/Stk. /pc.
ISO PM5x20	20	M5		256820M5	1,90
ISO PM6x30	30	M6		256830M6	2,00
ISO PM8x30	30	M8	25	256830M8	2,41
ISO PM8x35	35	M8		256835M8	2,59
ISO PM10x40	40	M10		256840M10	2,97
ISO PM12x50	50	M12		256850M12	3,39

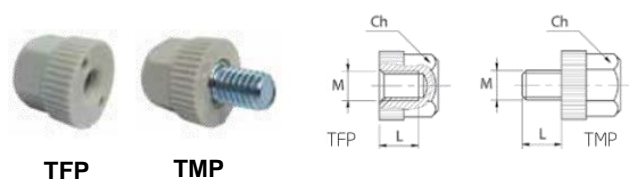


GOGASHIELD TFP/TMP Kunststoff-Knöpfe / plastic knobs

Material / material: Polystyrene
 Selbstverlöschend / self-extinguishing: UL94-V2
 Max. Betriebstemperatur / max. operating temperature: 90°C
 Isolierungsspannung / isolation voltage: 1.000 V

Einsätze Außengewinde aus galvanisiertem Stahl / inserts outer thread made of galvanized steel

Typ	M	Gewinde- typ	Ch	L	VPE	ArtNr	€
type	thread	thread type	mm	mm	Stk. PU		/Stk. /pc.
TFP M5	M5	innen	11	8	50	2569S0811M5	1,52
TFP M6	M6					2569S0811M6	1,52
TMP M5	M5	außen	11	8	50	2569L0811M5	1,88
TMP M6	M6					2569L0811M6	1,88



Preise gültig ab 01.01.2024 exkl. MwSt., freibleibend, Auftragsrabatt auf Anfrage /
 prices are valid from 01.01.2024 excl. VAT, subject to change, discounts upon request
 sonst. Konditionen siehe www.gogatec.com/AGB.pdf, techn. Änderungen vorbehalten /
 terms & conditions can be found on our website: www.gogatec.com/AGB.pdf; error, technical modifications and variations are reserved