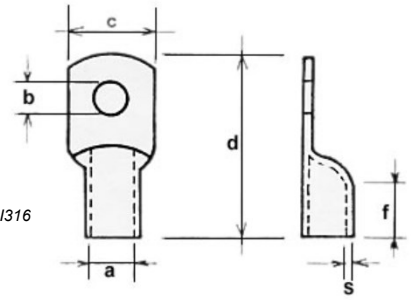


GOGAPIN KSF-RK Edelstahl Kabelschuhe / stainless steel cable lugs



Material / material: Edelstahl AISI 304 (DIN 1.4301) oder AISI316 (DIN 1.4404) / stainless steel AISI304 or AISI316

Normen / standards: Rohrabmessungen nach / tube dimensions acc. to DIN 46239

Passende Werkzeuge siehe GOGATOOL Katalog / for appropriate tools please see GOGATOOL catalog

mm ²	Loch für hole size	Abmessungen mm dimensions mm						Typ type	VPE PU	ArtNr AIS1304 part no.	€ /100 Stk. / 100 pcs.
		a	b	c	d	f	s				
2,5	M5	3,0	5,0	8,5	24,5	7,0	1,0	KSF-RK-V2A-2,5-M5	100	125910002505	a.A.
6	M6	3,5	6,5	11,5	37,0	10,0	1,0	KSF-RK-V2A-6-M6		125910006006	512,00
	M8	3,5	8,5	11,5	37,0	10,0	1,0	KSF-RK-V2A-6-M8		125910006008	881,00
10	M8	4,5	8,5	12,0	40,0	13,0	0,9	KSF-RK-V2A-10-M8		125910010008	a.A.
16	M8	5,5	8,5	11,8	48,5	21,0	1,25	KSF-RK-V2A-16-M8		125910016008	a.A.
	M10	5,5	10,5	15,0	48,5	21,0	1,25	KSF-RK-V2A-16-M10		125910016010	667,00
25	M8	8,0	8,5	14,5	36,0	13,0	1,0	KSF-RK-V2A-25-M8		125910025008	1 058,00
	M10	8,0	10,0	14,5	36,0	13,0	1,0	KSF-RK-V2A-25-M10		125910025010	755,00
35	M6	9,0	7,0	15,5	44,0	17,0	1,0	KSF-RK-V2A-35-M6		125910035006	a.A.
	M10	9,0	10,5	16,0	44,0	17,0	1,0	KSF-RK-V2A-35-M10		125910035010	a.A.
50	M8	10,0	8,5	17,5	51,5	16,5	1,0	KSF-RK-V2A-50-M8	100	125910050008	933,00
	M10	10,0	10,5	17,5	51,5	16,5	1,0	KSF-RK-V2A-50-M10		125910050010	a.A.
70	M12	10,0	12,0	17,5	51,5	16,5	1,0	KSF-RK-V2A-50-M12		125910050012	a.A.
	M8	12,0	9,0	22,0	54,0	13,0	1,5	KSF-RK-V2A-70-M8		125910070008	a.A.
95	M12	12,0	12,0	22,0	54,0	13,0	1,5	KSF-RK-V2A-70-M12		125910070012	a.A.
	M8	13,5	9,0	23,7	60,0	16,0	1,2	KSF-RK-V2A-95-M8		125910095008	a.A.
120	M10	13,5	10,2	23,7	60,0	16,0	1,2	KSF-RK-V2A-95-M10		125910095010	a.A.
	M12	13,5	12,1	23,7	60,0	16,0	1,2	KSF-RK-V2A-95-M12		125910095012	a.A.
120	M8	15,0	8,5	26,5	61,5	18,0	1,5	KSF-RK-V2A-120-M8		125910120008	a.A.
	M10	15,0	10,5	26,5	61,5	18,0	1,5	KSF-RK-V2A-120-M10		125910120010	3 160,00
	M12	15,0	12,0	26,5	61,5	18,0	1,5	KSF-RK-V2A-120-M12		125910120012	a.A.
AISI 316 (DIN 1.4404)											
2,5	M5	3,0	5,0	8,5	24,5	7,0	1,0	KSF-RK-V4A-2,5-M5	100	125910002505V4A	489,00
6	M6	3,5	6,5	11,5	37,0	10,0	1,0	KSF-RK-V4A-6-M6		125910006006V4A	557,00
	M8	3,5	8,5	11,5	37,0	10,0	1,0	KSF-RK-V4A-6-M8		125910006008V4A	573,00
10	M8	4,5	8,5	12,0	40,0	13,0	0,9	KSF-RK-V4A-10-M8		125910010008V4A	607,00
16	M8	5,5	8,5	11,8	48,5	21,0	1,25	KSF-RK-V4A-16-M8		125910016008V4A	726,00
	M10	5,5	10,5	15,0	48,5	21,0	1,25	KSF-RK-V4A-16-M10		125910016010V4A	1 101,00
25	M8	8,0	8,5	14,5	36,0	13,0	1,0	KSF-RK-V4A-25-M8		125910025008V4A	923,00
	M10	8,0	10,0	14,5	36,0	13,0	1,0	KSF-RK-V4A-25-M10		125910025010V4A	1 221,00
35	M6	9,0	7,0	15,5	44,0	17,0	1,0	KSF-RK-V4A-35-M6		125910035006V4A	964,00
	M10	9,0	10,5	16,0	44,0	17,0	1,0	KSF-RK-V4A-35-M10		125910035010V4A	964,00
50	M8	10,0	8,5	17,5	51,5	16,5	1,0	KSF-RK-V4A-50-M8		125910050008V4A	1 217,00
	M10	10,0	10,5	17,5	51,5	16,5	1,0	KSF-RK-V4A-50-M10		125910050010V4A	1 217,00
70	M12	10,0	12,0	17,5	51,5	16,5	1,0	KSF-RK-V4A-50-M12		125910050012V4A	1 217,00
	M8	12,0	9,0	22,0	54,0	13,0	1,5	KSF-RK-V4A-70-M8		125910070008V4A	1 437,00
95	M12	12,0	12,0	22,0	54,0	13,0	1,5	KSF-RK-V4A-70-M12		125910070012V4A	1 437,00
	M8	13,5	9,0	23,7	60,0	16,0	1,2	KSF-RK-V4A-95-M8		125910095008V4A	1 592,00
120	M10	13,5	10,2	23,7	60,0	16,0	1,2	KSF-RK-V4A-95-M10		125910095010V4A	1 592,00
	M12	13,5	12,1	23,7	60,0	16,0	1,2	KSF-RK-V4A-95-M12		125910095012V4A	1 592,00
120	M8	15,0	8,5	26,5	61,5	18,0	1,5	KSF-RK-V4A-120-M8		125910120008V4A	1 884,00
	M10	15,0	10,5	26,5	61,5	18,0	1,5	KSF-RK-V4A-120-M10		125910120010V4A	1 884,00
	M12	15,0	12,0	26,5	61,5	18,0	1,5	KSF-RK-V4A-120-M12		125910120012V4A	1 884,00

a. A. = auf Anfrage / upon request

Preise gültig ab 01.01.2024 exkl. MwSt., freibleibend, Auftragsrabatt auf Anfrage /

prices are valid from 01.01.2024 excl. VAT, subject to change, discounts upon request

sonst. Konditionen siehe www.gogatec.com/AGB.pdf, techn. Änderungen vorbehalten /

terms & conditions can be found on our website: www.gogatec.com/AGB.pdf; error, technical modifications and variations are reserved