

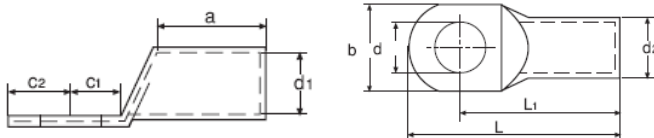


**GOGAPIN KSDIN-RK Presskabelschuh uniso. 240-1000 mm² /
uninsulated compression cable lugs**

Material / material: E-CU gal Sn. Rohr nach DIN 40500 /
E-CU tube tin-plated acc. DIN 40500

Zulassung / approval: UL listed

Normen / standards: DIN 46235



Passende Werkzeuge siehe GOGATOOL Katalog / for appropriate tools please see GOGATOOL catalog

mm² range	Loch für hole	Wk DIN	d	d1	Abmessung mm dimensions mm				Gew./100Stk. kg		VPE Stk.	Typ type	ArtNr	€/100 Stk.	
240	M10	28	11,0	21,5	29,0	92,0	40,0	42,0	16,0	16,0	26,48	10	KSDIN-RK-240-M10	126010240010	1 497,00
	M12		13,0	21,5	29,0	92,0	40,0	42,0	16,0	17,0	27,50	10	KSDIN-RK-240-M12	126010240012	1 497,00
	M14		15,0	21,5	29,0	92,0	40,0	42,0	19,0	20,0	28,30	10	KSDIN-RK-240-M14	126010240014	1 497,00
	M16		17,0	21,5	29,0	92,0	40,0	42,0	16,0	20,0	27,50	10	KSDIN-RK-240-M16	126010240016	1 497,00
	M20		21,0	21,5	29,0	92,0	40,0	42,0	16,0	22,0	27,60	10	KSDIN-RK-240-M20	126010240020	1 497,00
300	M16	32	17,0	24,5	32,0	100,0	50,0	48,0	19,0	22,0	34,00	10	KSDIN-RK-300-M16	126010300016	1 946,00
	M20		21,0	24,5	32,0	100,0	50,0	48,0	22,0	22,0	33,80	10	KSDIN-RK-300-M20	126010300020	1 946,00
400	M12	38	13,0	27,5	8,5	115,0	70,0	55,0	25,0	25,0	69,50	8	KSDIN-RK-400-M12	126010400012	3 460,00
	M14		15,0	27,5	38,5	115,0	70,0	55,0	25,0	25,0	69,40	8	KSDIN-RK-400-M14	126010400014	a.A.
	M16		17,0	27,5	38,5	115,0	70,0	55,0	25,0	25,0	67,50	8	KSDIN-RK-400-M16	126010400016	3 742,00
	M20		21,0	27,5	38,5	115,0	70,0	55,0	25,0	25,0	69,40	8	KSDIN-RK-400-M20	126010400020	4 870,00
500	M16	42	17,0	31,0	42,0	125,0	70,0	60,0	25,0	25,0	83,00	4	KSDIN-RK-500-M16	126010500016	4 640,00
	M20		21,0	31,0	42,0	125,0	70,0	60,0	25,0	25,0	83,00	4	KSDIN-RK-500-M20	126010500020	4 640,00
625	M16	44	17,0	34,5	44,0	135,0	80,0	64,0	25,0	25,0	79,60	4	KSDIN-RK-625-M16	126010625016	4 789,00
	M20		21,0	34,5	44,0	135,0	80,0	64,0	25,0	25,0	79,00	4	KSDIN-RK-625-M20	126010625020	4 789,00
800	M16	52	17,0	40,0	52,0	165,0	100,0	75,0	30,0	30,0	150,00	1	KSDIN-RK-800-M16	126010800016	a.A.
	M20		21,0	40,0	52,0	165,0	100,0	75,0	30,0	30,0	150,00	1	KSDIN-RK-800-M20	126010800020	a.A.
1000	M20	58	21,0	44,0	58,0	165,0	100,0	85,0	30,0	30,0	199,00	1	KSDIN-RK-1000-M20	126010999020	a.A.

a. A. = auf Anfrage / upon request

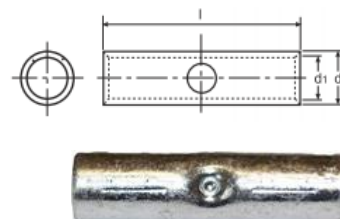
GOGAPIN KSE-SVDIN Pressverbinder unisoliert / uninsulated compression joints

Material / material: E-CU gal Sn. Rohr nach DIN 40500 / E-CU tube tin-plated acc. DIN 40500

Normen / standards: teilweise / partly DIN 46267

Passende Werkzeuge siehe GOGATOOL Katalog / for appropriate tools please see GOGATOOL catalog

mm² range	Abmessung mm dimensions mm			Gewicht/100Stk. kg	VPE Stk.	Typ type	ArtNr	€/100 Stk.
6	3,8	5,5	28,5	0,310	100	KSDIN-SV-6	1260800060	72,70
10	4,5	6,0	30,0	0,350	100	KSDIN-SV-10	1260800100	28,81
16	5,5	8,5	50,0	1,450	100	KSDIN-SV-16	1260800160	82,00
25	7,0	10,0	50,0	1,770	100	KSDIN-SV-25	1260800250	101,70
35	8,2	12,5	50,0	2,900	100	KSDIN-SV-35	1260800350	182,00
50	10,0	14,5	56,0	4,260	50	KSDIN-SV-50	1260800500	266,00
70	11,5	16,5	56,0	5,410	50	KSDIN-SV-70	1260800700	305,00
95	13,5	19,0	70,0	8,700	50	KSDIN-SV-95	1260800950	468,00
120	15,5	21,0	70,0	9,700	50	KSDIN-SV-120	1260801200	515,00
150	17,0	23,5	80,0	14,500	50	KSDIN-SV-150	1260801500	764,00
185	19,0	25,5	85,0	17,000	25	KSDIN-SV-185	1260801850	858,00
240	21,5	29,0	90,0	23,500	25	KSDIN-SV-240	1260802400	1 248,00
300	24,5	32,0	100,0	29,230	25	KSDIN-SV-300	1260803000	2 275,00
400	27,5	38,5	150,0	75,320	10	KSDIN-SV-400	1260804000	3 046,00
500	31,0	42,0	160,0	79,100	5	KSDIN-SV-500	1260805000	6 780,00
625	34,5	44,0	160,0	89,400	5	KSDIN-SV-625	1260806250	7 030,00
800	40,0	52,0	200,0	151,200	3	KSDIN-SV-800	1260808000	10 537,00
1000	44,0	58,0	200,0	198,500	3	KSDIN-SV-1000	1260809990	a.A.



a. A. = auf Anfrage / upon request

Preise gültig ab 01.01.2024 exkl. MwSt., freibleibend, Auftragsrabatt auf Anfrage /

prices are valid from 01.01.2024 excl. VAT, subject to change, discounts upon request

sonst. Konditionen siehe www.gogatec.com/AGB.pdf, techn. Änderungen vorbehalten /

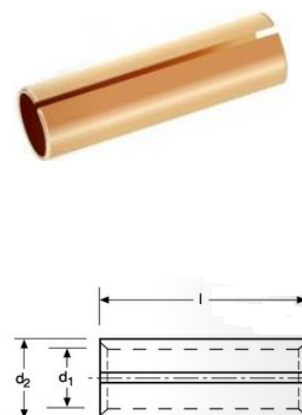
terms & conditions can be found on our website: www.gogatec.com/AGB.pdf; error, technical modifications and variations are reserved

**GOGAPIN KSDIN-SVR Reduzierhülsen für Pressverbinder DIN unisoliert /
*uninsulated reduction sleeves***

Material / *material*: E-CU Rohr nach DIN 40500 / *E-CU tube acc. to DIN 40500*

Passende Werkzeuge siehe GOGATOOL Katalog / *for appropriate tools please see GOGATOOL catalog*

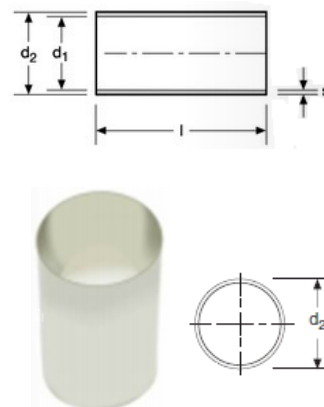
von mm ² <i>from</i>	auf mm ² <i>to</i>	Abmessung mm <i>dimensions mm</i>			Gewicht/100Stk. kg <i>weight/100 pcs.</i>	VPE Stk. <i>PU</i>	Typ <i>type</i>	ArtNr	€/100 Stk. <i>/100 pcs.</i>
25	10	4,6	6,6	25,0	0,390	100	KSDIN-SVR-25-10	1260810250010	296,00
	16	5,5	6,6	25,0	0,210	100	KSDIN-SVR-25-16	1260810250016	318,00
35	10	4,5	8,0	33,0	0,760	100	KSDIN-SVR-35-10	1260810350010	346,00
	16	5,5	8,0	33,0	0,590	100	KSDIN-SVR-35-16	1260810350016	337,00
	25	7,0	8,0	33,0	0,260	100	KSDIN-SVR-35-25	1260810350025	294,00
50	16	5,5	9,5	33,0	1,400	100	KSDIN-SVR-50-16	1260810500016	440,00
	25	7,0	9,5	33,0	0,950	100	KSDIN-SVR-50-25	1260810500025	362,00
	35	8,5	9,5	33,0	0,420	100	KSDIN-SVR-50-35	1260810500035	316,00
70	25	7,0	11,0	33,0	1,660	50	KSDIN-SVR-70-25	1260810700025	448,00
	35	8,5	11,0	33,0	1,130	50	KSDIN-SVR-70-35	1260810700035	405,00
	50	10,0	11,0	33,0	0,480	50	KSDIN-SVR-70-50	1260810700050	356,00
95	35	8,5	13,0	45,0	3,400	50	KSDIN-SVR-95-35	1260810950035	597,00
	50	10,0	13,0	45,0	2,170	50	KSDIN-SVR-95-50	1260810950050	469,00
	70	11,5	13,0	45,0	1,160	50	KSDIN-SVR-95-70	1260810950070	423,00
120	50	10,0	15,0	45,0	3,940	50	KSDIN-SVR-120-50	1260811200050	643,00
	70	11,5	15,0	45,0	2,920	50	KSDIN-SVR-120-70	1260811200070	566,00
	95	13,5	15,0	45,0	1,350	50	KSDIN-SVR-120-95	1260811200095	465,00
150	70	11,5	16,5	53,0	5,200	25	KSDIN-SVR-150-70	1260811500070	756,00
	95	13,5	16,5	53,0	3,340	25	KSDIN-SVR-150-95	1260811500095	526,00
	120	15,5	16,5	53,0	1,190	25	KSDIN-SVR-150-120	1260811500120	587,00
185	95	13,5	18,5	53,0	5,940	25	KSDIN-SVR-185-95	1260811850095	628,00
	120	15,5	18,5	53,0	3,780	25	KSDIN-SVR-185-120	1260811850120	655,00
	150	17,0	18,5	53,0	1,980	25	KSDIN-SVR-185-150	1260811850150	515,00
240	120	15,5	21,0	55,0	7,720	25	KSDIN-SVR-240-120	1260812400120	1013,00
	150	17,0	21,0	55,0	5,840	25	KSDIN-SVR-240-150	1260812400150	861,00
	185	19,0	21,0	55,0	3,080	25	KSDIN-SVR-240-185	1260812400185	651,00
300	150	17,0	24,0	58,0	11,700	10	KSDIN-SVR-300-150	1260813000150	1311
	185	19,0	24,0	58,0	8,700	10	KSDIN-SVR-300-185	1260813000185	1090,00
	240	21,5	24,0	58,0	4,600	10	KSDIN-SVR-300-240	1260813000240	761,00
400	185	19,0	27,0	80,0	20,100	10	KSDIN-SVR-400-185	1260814000185	1457,00
	240	21,5	27,0	80,0	15,000	10	KSDIN-SVR-400-240	1260814000240	1213,00
	300	24,5	27,0	80,0	7,200	10	KSDIN-SVR-400-300	1260814000300	1369,00



**GOGAPIN KSDIN-RH für verdichtete Leiter unisoliert /
*uninsulated sleeves for compacted conductors***

Material / *material*: E-CU nach EN 13600 / *E-CU acc. to EN 13600*

mm ² <i>range</i>	Abmessung mm <i>dimensions mm</i>					Gewicht/100Stk. kg <i>weight/100 pcs.</i>	VPE Stk. <i>PU</i>	Typ <i>type</i>	ArtNr	€/100 Stk. <i>/100 pcs.</i>
16	5,0	5,3	16,0	0,15		3,500	100	KSDIN-RH-016	12608201600	63,80
25	6,4	6,7	16,0	0,15		4,300	100	KSDIN-RH-025	12608202500	50,70
35	7,7	8,2	17,0	0,25		9,400	100	KSDIN-RH-035	12608203500	70,50
50	9,0	9,5	23,0	0,25		15,100	50	KSDIN-RH-050	12608205000	78,20
70	10,6	11,2	24,0	0,30		21,900	50	KSDIN-RH-070	12608207000	110,90
95	12,4	13,0	28,0	0,30		29,800	50	KSDIN-RH-095	12608209500	103,20
120	13,9	14,5	30,0	0,30		35,700	50	KSDIN-RH-120	12608212000	98,60
150	15,4	16,0	30,0	0,30		39,500	25	KSDIN-RH-150	12608215000	127,20
185	17,6	18,2	38,0	0,30		57,900	25	KSDIN-RH-185	12608218500	157,00
240	19,9	20,5	38,0	0,30		64,500	25	KSDIN-RH-240	12608224000	194,00
300	22,4	23,0	48,0	0,30		91,300	5	KSDIN-RH-300	12608230000	258,00
400	25,4	26,2	58,0	0,40		169,200	5	KSDIN-RH-400	12608240000	330,00



Preise gültig ab 01.01.2024 exkl. MwSt., freibleibend, Auftragsrabatt auf Anfrage /

prices are valid from 01.01.2024 excl. VAT, subject to change, discounts upon request

sonst. Konditionen siehe www.gogatec.com/AGB.pdf, techn. Änderungen vorbehalten /

terms & conditions can be found on our website: www.gogatec.com/AGB.pdf; error, technical modifications and variations are reserved