

---

**MIXO HDMI MODULE**  
**CX 01 MIF /MIM**  
**CW 2 MIAM PATCH CORD**

---



MIXO HDMI module  
for high quality video signal transmission  
EN/IEC 61984 ratings: 0,5 A 40 V 0,8 kV 3  
CW 2 MIAM HDMI Type A patch cord (2 m)



Find more  
information on  
our products at  
[www.ilme.com](http://www.ilme.com)

## TECHNICAL FEATURES

### CX 01 MIF /MIM - CW 2 MIAM PATCH CORD (2 m length) \*

\* NOTE – CW 5 MIAM patch cord, 5 m length available upon request.

- For high quality video signal transmission, with HDMI Type A connectors (19-pole + shield).

- Supports **HDMI**™ 1.4 and 2.0 standards (HDMI = High Definition Multimedia Interface), full Ultra HD 4k@60 Hz, 4096x2160p resolution.

- Supports Ethernet up to and including 18Gb/s.

- Supports ARC (Audio Return Channel).

- EN/IEC 61984 ratings: **0,5 A 40 V 0,8 kV 3**

NOTE – As a connector with extra-low voltage rating, it is out of the scope of the EU Low Voltage Directive 2014/35/EU and of the Russian equivalent Technical Regulation TR CU 004/2011, hence neither the CE marking nor the EAC mark are applicable.

- Lower and Upper Limiting Temperatures (LLT ... ULT):  
-40 °C ... +85 °C.

NOTE – The limitation to the ULT is set upon the usual temperature rating of the data cables.

- Female HDMI module **CX 01 MIF** hosts a female/female PCB assembly with female HDMI Type A connector on both sides, to act as a coupler between two male terminated patch cords (one on the rear of this female module, one hosted in the male module adapter on the counterpart connector).

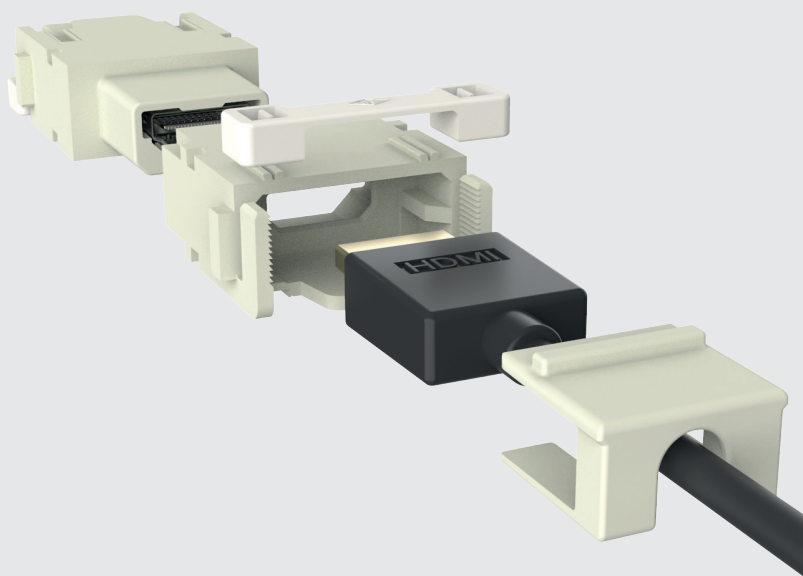
- Male HDMI module **CX 01 MIM** is an adapter able to host a patch cord terminated with HDMI Type A plugs of compact size, providing a latch to anchor the cable.

- It is recommended to use the male adapter **CX 01 MIM** with **CW 2 MIAM** patch cord (**CW 5 MIAM** available upon request), provided with slim sized HDMI Type A male plug at both ends.

- Connection through pre-assembled (overmoulded) patch cords (2 m and 5 m length) terminated with slim sized HDMI Type A plug connectors.

NOTE – CW 5 MIAM, 5 m long patch cord is available only upon request.

locking of the  
HDMI male  
plugs through  
a dedicated  
adapter



# CX 01 MIF /MIM HDMI Type A connector

The modular inserts must be installed in suitable frames which are then mounted in traditional housings or in COB panel support. Single-sized modular units may be directly mounted inside MIXO ONE enclosures.

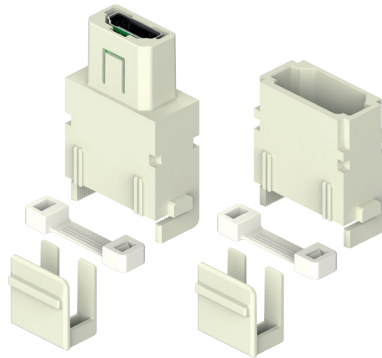
frames for modular units pages: 316 - 317

MIXO ONE enclosures 369

- we recommend the use of CRF / CRM coding pins together with relevant MIXO frame

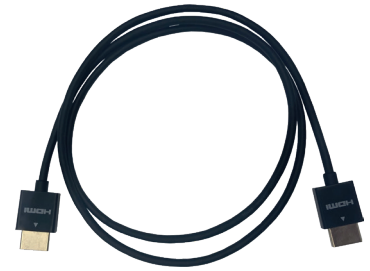
refer to CN.19 pages

HDMI Type A modular units, female-female connector adapter module for male connector



**FROM OCTOBER 2020**

HDMI Type A patch cord



**FROM OCTOBER 2020**

description

part No.

part No.

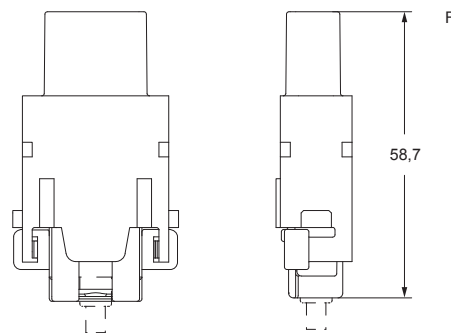
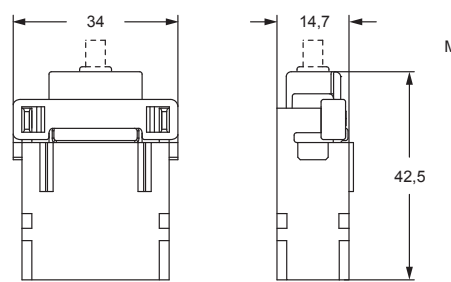
HDMI Type A female/female connector  
Adapter module for male connector

**CX 01 MIF**  
**CX 01 MIM**

2 m length patch cord terminated with slim sized HDMI Type A plug connectors

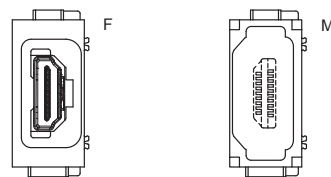
**CW 2 MIAM**

- characteristics according to EN/IEC 61984 ratings: **0,5 A 40 V 0,8 kV 3**
- cUL (UL for USA and Canada), CSA, DNV-GL, BV pending
- temperature range: from -40 °C to +85 °C
- for high quality video signal transmission, with HDMI Type A connectors (19-pole + shield)
- supports HDMI 1.4 and 2.0 standards (HDMI = High Definition Multimedia Interface), full Ultra HD 4k@60 Hz, 4096x2160p resolution
- supports Ethernet up to and including 18Gb/s
- supports ARC (Audio Return Channel)

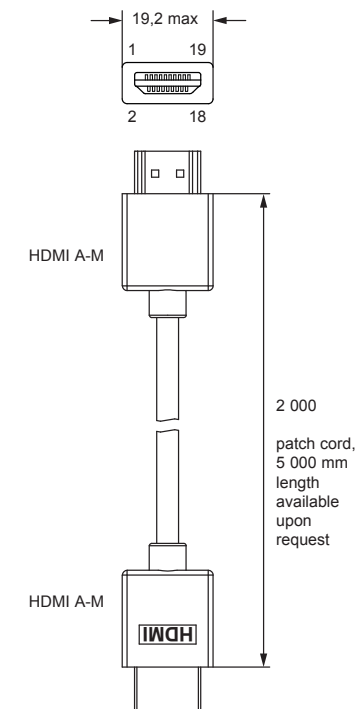


contacts side (front view)

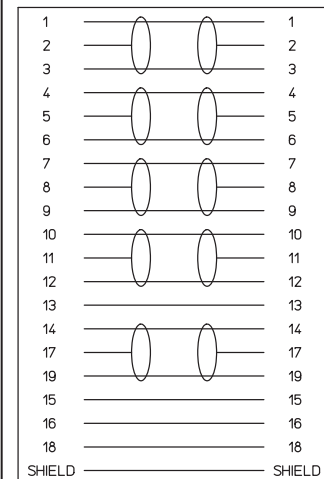
side with reference arrow ▲



- 1 frame slot



2 000  
patch cord,  
5 000 mm  
length  
available  
upon  
request



# CX 01 MIF /MIM HDMI Type A connector

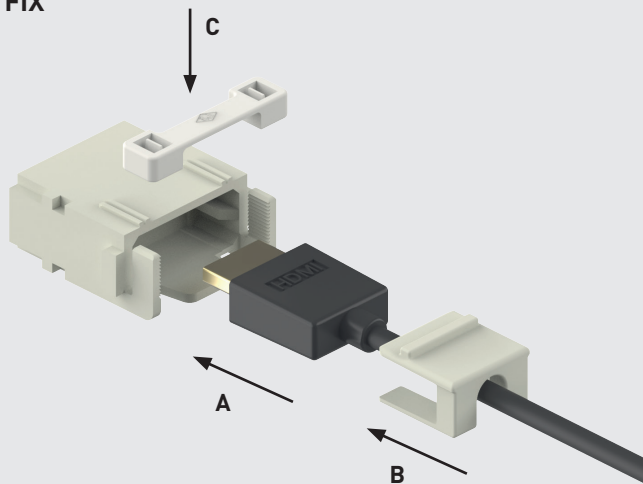
## ASSEMBLY INSTRUCTIONS

### CX 01 MIF /MIM - HDMI TYPE A CONNECTOR

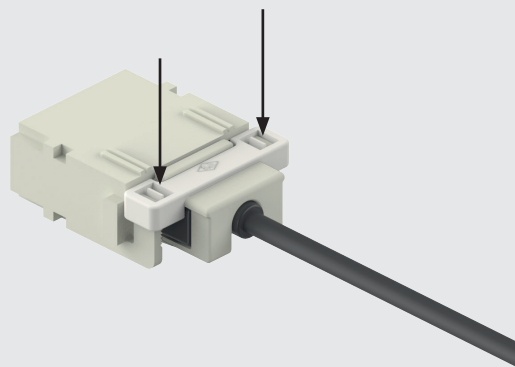


Watch our online tutorial

#### 1 TO FIX



#### 2



#### 3 TO REMOVE

