
**RJ45 COUPLER
IN ANGLED BULKHEAD MOUNTING HOUSINGS
CJZA 8 IA4, CJZAX 8 IA4, CJZAXX 8 IA4**



90° angled RJ45
female-female coupler
in bulkhead-mount angled “21.21”
metal housing with 4 fixing screws



Find more
information on
our products at
www.ilme.com

TECHNICAL FEATURES

CJZA 8 IA4, CJZAX 8 IA4, CJZAXX 8 IA4

This new **90° angled** female-female RJ45 coupler, housed in a sturdy bulkhead-mounting **angled “21.21” metal housing with 4 fixing screw on the flange**, once installed on the vertical wall of a control panel enclosure, enables the corresponding male RJ45 connector being oriented **vertically**, along the wall of the control panel, so as to **avoid undue torque (leverage effect)** on the connector locking lever, due to the weight of the attached cable and the lever arm that a horizontally placed hood and gland would imply.

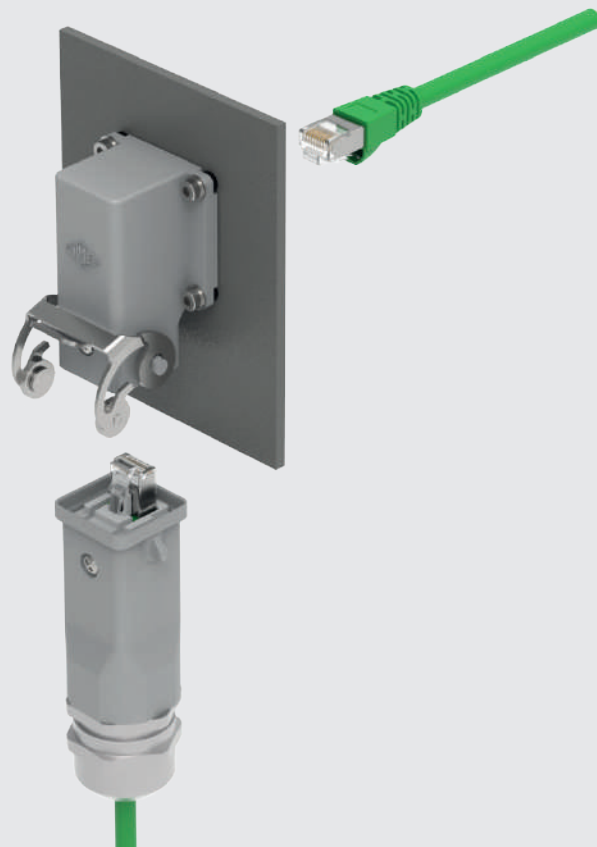
This RJ45 female/female adapter is fitted with two PCB-mounted **RJ45 Cat. 5** female connectors (jacks) on a specially designed PCB, and allows use of patch cords both on the inside and the outside of a control panel, e.g. using the universal patch cord adapter CJK 8M in corresponding hood on the outside of the panel.

IP66/IP67/IP69 degree of protection when mated and locked.

NOTE - The sealing on the 4 pass-through fixing screw must be verified by the customer.

RoHS: compliant without exemptions.

avoids
undue leverage
on the connector
locking lever



CJZAX - CJZA RJ45 coupler

angled bulkhead mounting housings with RJ45 coupler



STAINLESS STEEL LEVER
FROM SEPTEMBER 2021

angled bulkhead mounting housings with RJ45 coupler



GALVANIZED STEEL RIGID LEVER
FROM SEPTEMBER 2021

description	part No.	part No.
-------------	----------	----------

angled bulkhead mounting housings with RJ45 coupler with stainless steel lever

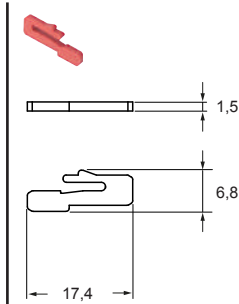
CJZAX 8 IA4

angled bulkhead mounting housings with RJ45 coupler with galvanized steel rigid lever

CJZA 8 IA4

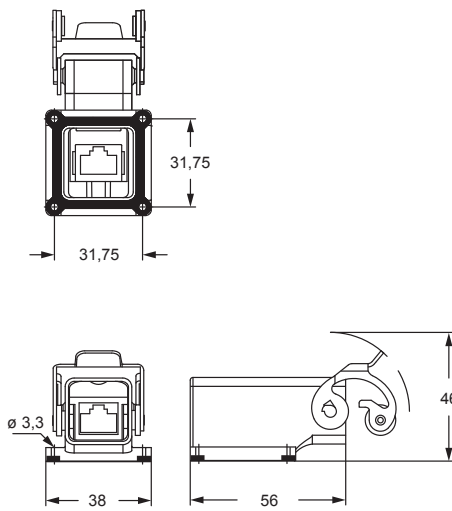
- IP66/IP67/IP69 degree of protection (EN 60529)
- RJ45 coupler, CAT. 5 Ethernet
- rated current: 2.1A at 70 °C
- rated voltage: 50V DC / 35V AC
- temperature limit: -40 °C, +120 °C
- nickel-plated brass shielding
- insert coding pin: **CR KC ***
- self-extinguishing: UL 94V-0
- enclosures in zinc alloy

*** CR KC insert coding pin**

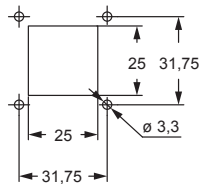


How to use CR KC coding pins
 (see page 224 of CN.19 Catalogue)

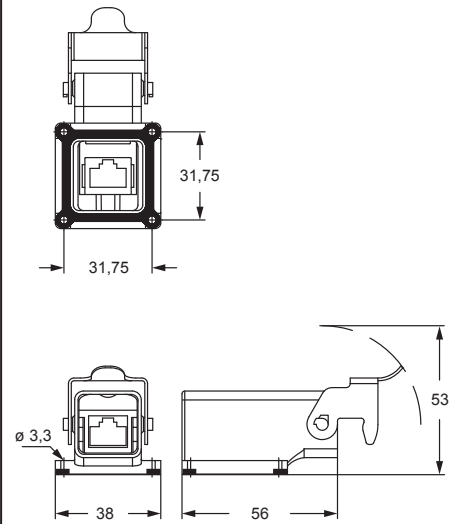
CJZAX 8 IA4



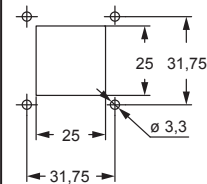
panel cut-out for CJZAX 8 IA4



CJZA 8 IA4



panel cut-out for CJZA 8 IA4



CJZAXX RJ45 coupler

angled bulkhead mounting housings with RJ45 coupler



STAINLESS STEEL RIGID LEVER
FROM SEPTEMBER 2021

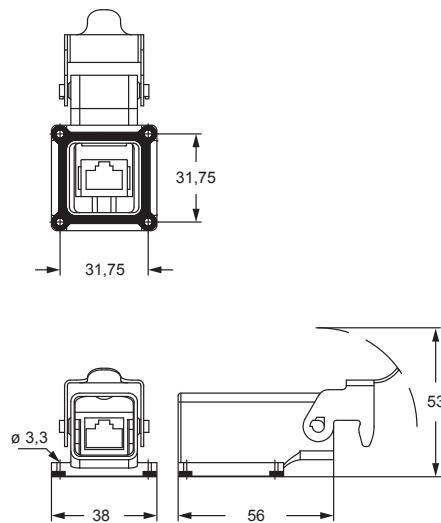
description	part No.
-------------	----------

angled bulkhead mounting housings with RJ45 coupler with stainless steel rigid lever

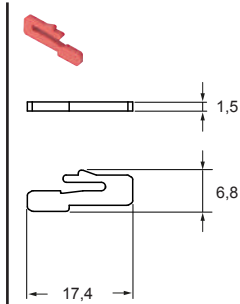
CJZAXX 8 IA4

- IP66/IP67/IP69 degree of protection (EN 60529)
- RJ45 coupler, CAT. 5 Ethernet
- rated current: 2.1A at 70 °C
- rated voltage: 50V DC / 35V AC
- temperature limit: -40 °C, +120 °C
- nickel-plated brass shielding
- insert coding pin: **CR KC ***
- self-extinguishing: UL 94V-0
- enclosures in zinc alloy

CJZAXX 8 IA4



*** CR KC insert coding pin**



How to use CR KC coding pins (see page 224 of CN.19 Catalogue)

panel cut-out for CJZAXX 8 IA4

