

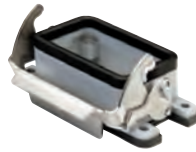
inserts:

page:

CDD	24 poles + ⊕	40
JDS	9 poles + ⊕	54
JSH	6 poles + ⊕	62
JNE, JSE	6 poles + ⊕	68
CCE	6 poles + ⊕	74
CQE	10 poles + ⊕	81

insert centre distance:
44 x 27 mm

bulkhead mounting housings with single lever



lever in galvanized steel

bulkhead mounting housings with single lever



lever in galvanized steel

description

part No.

part No.

with lever

JCVI 06 L

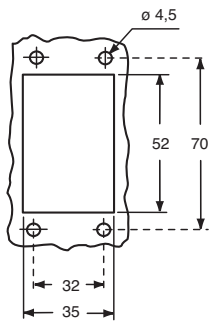
with lever and plastic cover

JCVI 06 LP

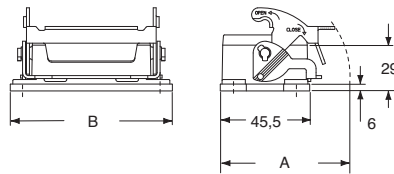
panel cut-out for bulkhead mounting housings in mm

dimensions in mm

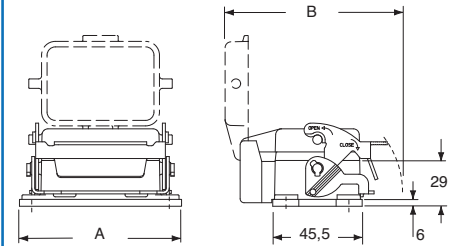
dimensions in mm



JCVI L



JCVI LP



type	A	B
JCVI 06 L	66	82,5

type	A	B
JCVI 06 LP	82,5	89

NB:
the enclosures ensure IP66 protection (or IP65 for cover versions) rating when mated and locked with the closing levers.

CALUS® Type 4/4X/12

(excluding enclosures with plastic cover)



dimensions shown are not binding and may be changed without notice

inserts:

page:

CDD	24 poles + ⊕	40
JDS	9 poles + ⊕	54
JSH	6 poles + ⊕	62
JNE, JSE	6 poles + ⊕	68
CCE	6 poles + ⊕	74
CQE	10 poles + ⊕	81

insert centre distance:
44 x 27 mm

surface mounting housings
with single lever



lever in
galvanized
steel

surface mounting housings
with single lever



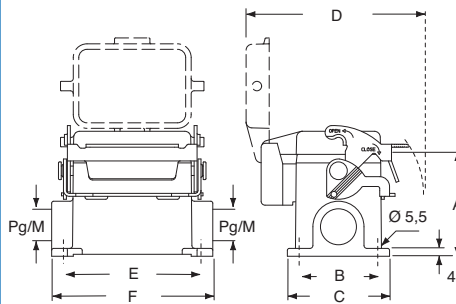
lever in
galvanized
steel

description	part No.		part No.		part No.		part No.	
		entry Pg		entry M		entry Pg		entry M
with lever and plastic cover	JCVP 06 LP	16	JMVP 06 LP20	20				
with lever and plastic cover	JCVP 06 LP2	16 x 2	JMVP 06LP220	20 x 2				
with lever and plastic cover, high construction	JCVAP 06 LP	21	JMVAP 06LP32	32				
with lever and plastic cover, high construction	JCVAP 06 LP2	21 x 2	JMVAP06LP232	32 x 2				
with lever					JCVP 06 L	16	JMVP 06 L20	20
with lever					JCVP 06 L2	16 x 2	JMVP 06 L220	20 x 2
with lever, high construction					JCVAP 06 L	21	JMVAP 06 L32	32
with lever, high construction					JCVAP 06 L2	21 x 2	JMVAP 06L232	32 x 2

NB:
the enclosures ensure IP66 protection (or IP65 for cover versions) rating when mated and locked with the closing levers.

dimensions in mm

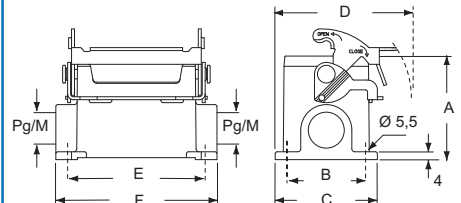
JCVP LP - JCVAP LP and JMVP LP - JMVAP LP



type	A	B	C	D	E	F
JCVP/JMVP 06 LP	53	40	52	91	70	82
JCVAP/JMVAP 06 LP	73	45	57	91	70	82

dimensions in mm

JCVP L - JCVAP L and JMVP L - JMVAP L



type	A	B	C	D	E	F
JCVP/JMVP 06 L	53	40	52	70	70	82
JCVAP/JMVAP 06 L	73	45	57	72,5	70	82

CALUS® Type
4/4X/12
(excluding enclosures with plastic cover)



dimensions shown are not binding
and may be changed without notice

inserts:

page:

CDD	42 poles + ⊕	42
JDS	18 poles + ⊕	55
JSH	10 poles + ⊕	63
JNE, JSE	10 poles + ⊕	69
CCE	10 poles + ⊕	75
CQE	18 poles + ⊕	82

insert centre distance:
57 x 27 mm

bulkhead mounting housings with single lever



lever in galvanized steel

bulkhead mounting housings with 2 levers



lever in galvanized steel

description

part No.

part No.

with lever

JCVI 10 L

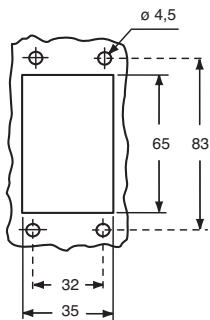
with lever and plastic cover

JCVI 10 LP

with levers

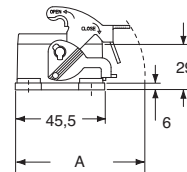
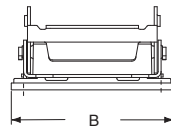
JCVI 10

panel cut-out for bulkhead mounting housings in mm

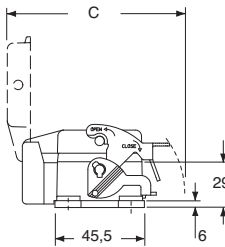
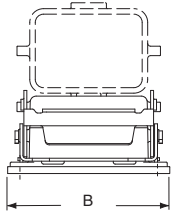


dimensions in mm

JCVI L

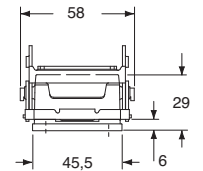
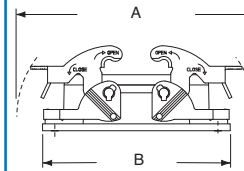


JCVI LP



dimensions in mm

JCVI



NB:

the enclosures ensure IP66 protection (or IP65 for cover versions) rating when mated and locked with the closing levers.

type	A	B	C
JCVI 10 L	70	95,5	-
JCVI 10 LP	-	95,5	94

type	A	B
JCVI 10	122	95,5

CALUS® Type 4/4X/12

(excluding enclosures with plastic cover)



dimensions shown are not binding and may be changed without notice

inserts:

page:

CDD	42 poles + ⊕	42
JDS	18 poles + ⊕	55
JSH	10 poles + ⊕	63
JNE, JSE	10 poles + ⊕	69
CCE	10 poles + ⊕	75
CQE	18 poles + ⊕	82

insert centre distance:
57 x 27 mm

surface mounting housings
with 2 levers

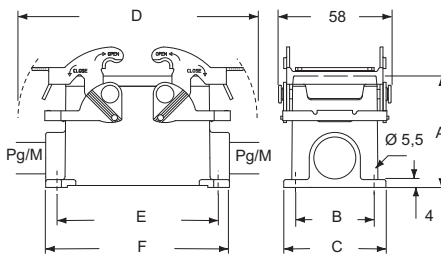


lever in
galvanized
steel

description	part No.		entry	
		Pg		M
with levers	JCVP 10	16	JMVP 10.20	20
with levers	JCVP 10.2	16 x 2	JMVP 10.220	20 x 2
with levers, high construction	JCVAP 10.21	21	JMVAP 10.32	32
with levers, high construction	JCVAP 10.221	21 x 2	JMVAP 10.232	32 x 2

dimensions in mm

JCVP - JCVAP and JMVP - JMVAP



type	A	B	C	D	E	F
JCVP/JMVP 10	57	40	52	122	82	93,5
JCVAP/JMVAP 10	73	45	57	122	82	93,5

CALUS Type 4/4X/12



dimensions shown are not binding
and may be changed without notice

inserts:

page:

CDD	42 poles + ⊕	42
JDS	18 poles + ⊕	55
JSH	10 poles + ⊕	63
JNE, JSE	10 poles + ⊕	69
CCE	10 poles + ⊕	75
CQE	18 poles + ⊕	82

insert centre distance:
57 x 27 mm

surface mounting housings
with single lever



lever in
galvanized
steel

surface mounting housings
with single lever



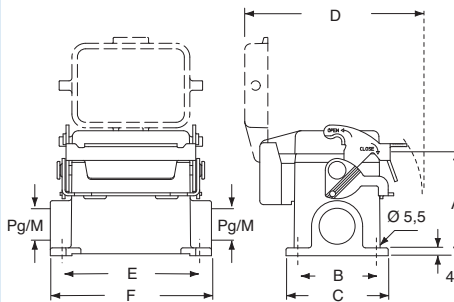
lever in
galvanized
steel

description	part No.		part No.		part No.		part No.	
		entry Pg		entry M		entry Pg		entry M
with lever and plastic cover	JCVP 10 LP	16	JMVP 10 LP20	20				
with lever and plastic cover	JCVP 10 LP2	16 x 2	JMVP 10LP220	20 x 2				
with lever and plastic cover, high construction	JCVAP 10LP21	21	JMVAP 10LP32	32				
with lever and plastic cover, high construction	JCVAP10LP221	21 x 2	JMVAP10LP232	32 x 2				
with lever					JCVP 10 L	16	JMVP 10 L20	20
with lever					JCVP 10 L2	16 x 2	JMVP 10 L220	20 x 2
with lever, high construction					JCVAP 10 L21	21	JMVAP 10 L32	32
with lever, high construction					JCVAP 10L221	21 x 2	JMVAP 10L232	32 x 2

NB:
the enclosures ensure IP66 protection (or IP65 for cover versions) rating when mated and locked with the closing levers.

dimensions in mm

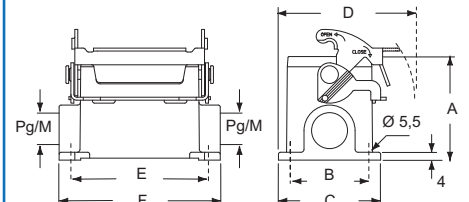
JCVP LP - JCVAP LP and JMVP LP - JMVAP LP



type	A	B	C	D	E	F
JCVP/JMVP 10 LP	57	40	52	94	82	93,5
JCVAP/JMVAP 10 LP	73	45	57	94	82	93,5

dimensions in mm

JCVP L - JCVAP L and JMVP L - JMVAP L



type	A	B	C	D	E	F
JCVP/JMVP 10 L	57	40	52	73	82	93,5
JCVAP/JMVAP 10 L	73	45	57	75,5	82	93,5

CALUS® Type
4/4X/12

(excluding enclosures with plastic cover)



dimensions shown are not binding
and may be changed without notice

inserts:

page:

CD	40 poles + ⊕	35
CDD	72 poles + ⊕	43
JDS	27 poles + ⊕	56
JSH	16 poles + ⊕	64
JNE, JSE	16 poles + ⊕	70
CCE	16 poles + ⊕	76
CQE	32 poles + ⊕	83

insert centre distance:
77,5 x 27 mm

bulkhead mounting housings with single lever



lever in galvanized steel

bulkhead mounting housings with 2 levers



lever in galvanized steel

description

part No.

part No.

with lever

JCVI 16 L

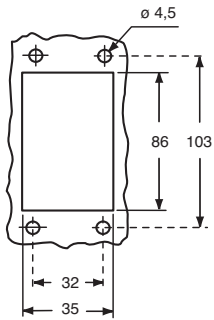
with lever and plastic cover

JCVI 16 LP

with levers

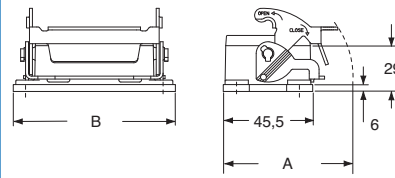
JCVI 16

panel cut-out for bulkhead mounting housings in mm

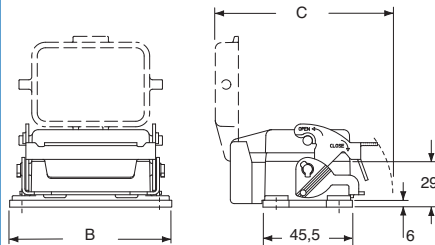


dimensions in mm

JCVI L

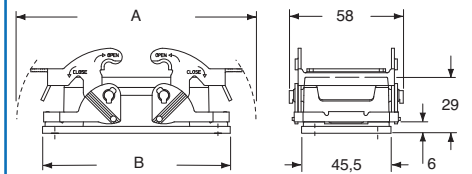


JCVI LP



dimensions in mm

JCVI



NB:
the enclosures ensure IP66 protection (or IP65 for cover versions) rating when mated and locked with the closing levers.

type	A	B	C
JCVI 16 L	70	115,5	-
JCVI 16 LP	-	115,5	94

type	A	B
JCVI 16	142,5	115,5

CALUS® Type 4/4X/12

(excluding enclosures with plastic cover)



dimensions shown are not binding and may be changed without notice

inserts:

page:

CD.....	40 poles + ⊕	35
CDD.....	72 poles + ⊕	43
JDS.....	27 poles + ⊕	56
JSH.....	16 poles + ⊕	64
JNE, JSE.....	16 poles + ⊕	70
CCE.....	16 poles + ⊕	76
CQE.....	32 poles + ⊕	83

insert centre distance:
77,5 x 27 mm

surface mounting housings
with 2 levers

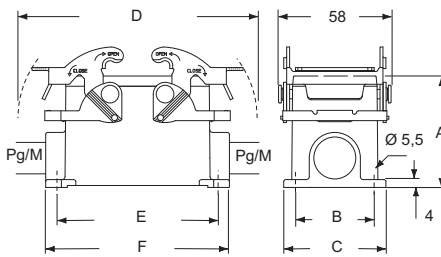


lever in
galvanized
steel

description	part No.		entry	
		Pg	M	
with levers	JCVP 16	21	JMVP 16.25	25
with levers	JCVP 16.2	21 x 2	JMVP 16.225	25 x 2
with levers, high construction	JCVAP 16.29	29	JMVAP 16.32	32
with levers, high construction	JCVAP 16.229	29 x 2	JMVAP 16.232	32 x 2

dimensions in mm

JCVP - JCVAP and JMVP - JMVAP



type	A	B	C	D	E	F
JCVP/JMVP 16	63	45	57	142,5	105	117
JCVAP/JMVAP 16	77	45	57	142,5	105	117

Type 4/4X/12



dimensions shown are not binding
and may be changed without notice

inserts:

CD.....	40 poles + ⊕	35
CDD.....	72 poles + ⊕	43
JDS.....	27 poles + ⊕	56
JSH.....	16 poles + ⊕	64
JNE, JSE.....	16 poles + ⊕	70
CCE.....	16 poles + ⊕	76
CQE.....	32 poles + ⊕	83

insert centre distance:
77,5 x 27 mm

page:

surface mounting housings with single lever



lever in galvanized steel

surface mounting housings with single lever



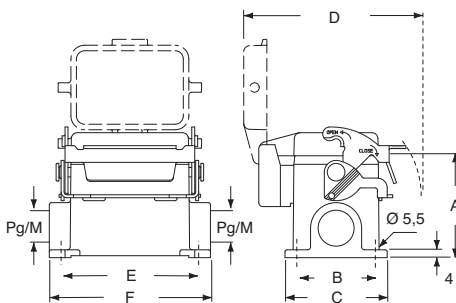
lever in galvanized steel

description	part No.		part No.		part No.		part No.	
	entry Pg	entry M	entry Pg	entry M	entry Pg	entry M	entry Pg	entry M
with lever and plastic cover	JCVP 16 LP	21	JMVP 16 LP25	25				
with lever and plastic cover	JCVP 16 LP2	21 x 2	JMVP 16LP225	25 x 2				
with lever and plastic cover, high construction	JCVAP 16LP29	29	JMVAP 16LP32	32				
with lever and plastic cover, high construction	JCVAP16LP229	29 x 2	JMVAP16LP232	32 x 2				
with lever					JCVP 16 L	21	JMVP 16 L25	25
with lever					JCVP 16 L2	21 x 2	JMVP 16 L225	25 x 2
with lever, high construction					JCVAP 16 L29	29	JMVAP 16 L32	32
with lever, high construction					JCVAP 16L229	29 x 2	JMVAP 16L232	32 x 2

NB:
the enclosures ensure IP66 protection (or IP65 for cover versions) rating when mated and locked with the closing levers.

dimensions in mm

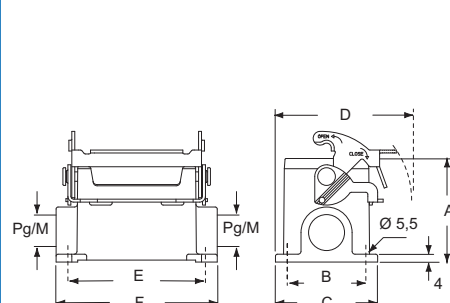
JCVP LP - JCVAP LP and JMVP LP - JMVAP LP



type	A	B	C	D	E	F
JCVP/JMVP 16 LP	63	45	57	94	105	117
JCVAP/JMVAP 16 LP	77	45	57	94	105	117

dimensions in mm

JCVP L - JCVAP L and JMVP L - JMVAP L



type	A	B	C	D	E	F
JCVP/JMVP 16 L	63	45	57	75,5	105	117
JCVAP/JMVAP 16 L	77	45	57	75,5	105	117

CRAUS Type 4/4X/12

(excluding enclosures with plastic cover)



dimensions shown are not binding and may be changed without notice

inserts:

CD.....	64 poles + ⊕	36
CDD.....	108 poles + ⊕	44
JDS.....	42 poles + ⊕	57
JSH.....	24 poles + ⊕	65
JNE, JSE.....	24 poles + ⊕	71
CCE.....	24 poles + ⊕	77
CQE.....	46 poles + ⊕	84

insert centre distance:
104 x 27 mm

page:

bulkhead mounting housings with single lever



lever in galvanized steel

bulkhead mounting housings with 2 levers



lever in galvanized steel

description

part No.

part No.

with lever

JCVI 24 L

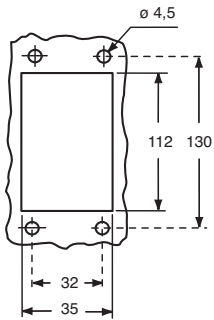
with lever and plastic cover

JCVI 24 LP

with levers

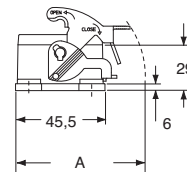
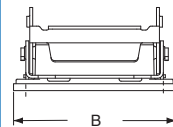
JCVI 24

panel cut-out for bulkhead mounting housings in mm

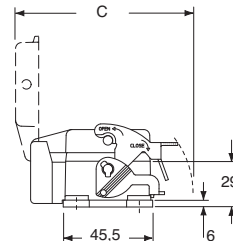
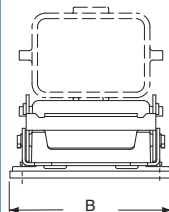


dimensions in mm

JCVI L

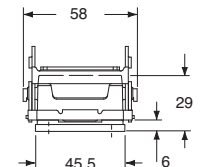
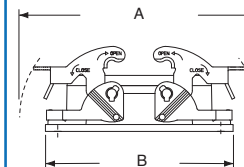


JCVI LP



dimensions in mm

JCVI



NB:
the enclosures ensure IP66 protection (or IP65 for cover versions) rating when mated and locked with the closing levers.

type	A	B	C
JCVI 24 L	70	142,5	-
JCVI 24 LP	-	142,5	94

type	A	B
JCVI 24	169	142,5

CRUS® Type 4/4X/12

(excluding enclosures with plastic cover)



dimensions shown are not binding and may be changed without notice

inserts:

page:

CD.....	64 poles + ⊕	36
CDD.....	108 poles + ⊕	44
JDS.....	42 poles + ⊕	57
JSH.....	24 poles + ⊕	65
JNE, JSE.....	24 poles + ⊕	71
CCE.....	24 poles + ⊕	77
CQE.....	46 poles + ⊕	84

insert centre distance:
104 x 27 mm

surface mounting housings
with 2 levers

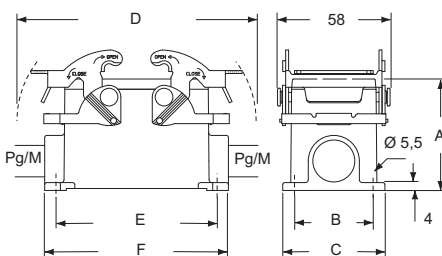


lever in
galvanized
steel

description	part No.	entry Pg	part No.	entry M
with levers	JCVP 24	21	JMVP 24.25	25
with levers	JCVP 24.2	21 x 2	JMVP 24.225	25 x 2
with levers, high construction	JCVAP 24.29	29	JMVAP 24.32	32
with levers, high construction	JCVAP 24.229	29 x 2	JMVAP 24.232	32 x 2

dimensions in mm

JCVP - JCVAP and JMVP - JMVAP



type	A	B	C	D	E	F
JCVP/JMVP 24	63	45	57	169	132	144
JCVAP/JMVAP 24	80	45	57	169	132	144

CALUS® Type
4/4X/12



dimensions shown are not binding
and may be changed without notice

inserts:

CD.....	64 poles + ⊕	36
CDD.....	108 poles + ⊕	44
JDS.....	42 poles + ⊕	57
JSH.....	24 poles + ⊕	65
JNE, JSE.....	24 poles + ⊕	71
CCE.....	24 poles + ⊕	77
CQE.....	46 poles + ⊕	84

insert centre distance:
104 x 27 mm

page:

surface mounting housings with single lever



lever in galvanized steel

surface mounting housings with single lever



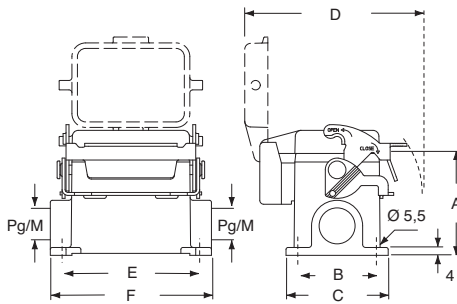
lever in galvanized steel

description	part No.		part No.		part No.		part No.	
		entry Pg		entry M		entry Pg		entry M
with lever and plastic cover	JCVP 24 LP	21	JMVP 24 LP25	25				
with lever and plastic cover	JCVP 24 LP2	21 x 2	JMVP 24LP225	25 x 2				
with lever and plastic cover, high construction	JCVAP 24LP29	29	JMVAP 24LP32	32				
with lever and plastic cover, high construction	JCVAP24LP229	29 x 2	JMVAP24LP232	32 x 2				
with lever					JCVP 24 L	21	JMVP 24 L25	25
with lever					JCVP 24 L2	21 x 2	JMVP 24 L225	25 x 2
with lever, high construction					JCVAP 24 L29	29	JMVAP 24 L32	32
with lever, high construction					JCVAP 24L229	29 x 2	JMVAP 24L232	32 x 2

NB:
the enclosures ensure IP66 protection (or IP65 for cover versions) rating when mated and locked with the closing levers.

dimensions in mm

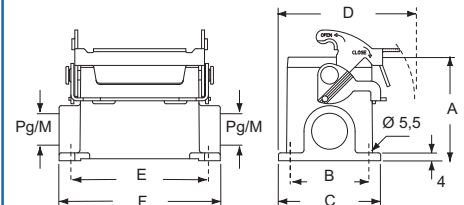
JCVP LP - JCVAP LP and JMVP LP - JMVAP LP



type	A	B	C	D	E	F
JCVP/JMVP 24 LP	63	45	57	94	132	144
JCVAP/JMVAP 24 LP	80	45	57	94	132	144

dimensions in mm

JCVP L - JCVAP L and JMVP L - JMVAP L



type	A	B	C	D	E	F
JCVP/JMVP 24 L	63	45	57	75,5	132	144
JCVAP/JMVAP 24 L	80	45	57	75,5	132	144

CALUS® Type 4/4X/12

(excluding enclosures with plastic cover)



dimensions shown are not binding and may be changed without notice

inserts:

page:

CD	80 poles + ⊕	37
CDD	144 poles + ⊕	45
JDS	54 poles + ⊕	58
JSH	32 poles + ⊕	66
JNE, JSE	32 poles + ⊕	72
CCE	32 poles + ⊕	78
CQE	64 poles + ⊕	85

insert centre distance:
2 x (77,5 x 27) mm

bulkhead mounting housings with single lever



bulkhead mounting housings with single lever



description

part No.

part No.

entry Pg

part No.

entry M

with lever

JCHI 32 L

with lever and plastic cover

JCHI 32 LP

with lever

JCHP 32 L29

29

JMHP 32 L40

40

with lever

JCHP 32 L229

29 x 2

JMHP 32 L240

40 x 2

with lever

JCHP 32 L36

36

JMHP 32 L50

50

with lever

JCHP 32 L236

36 x 2

JMHP 32 L250

50 x 2

with lever and plastic cover

JCHP 32 LP29

29

JMHP 32 LP40

40

with lever and plastic cover

JCHP 32LP229

29 x 2

JMHP 32LP240

40 x 2

with lever and plastic cover

JCHP 32 LP36

36

JMHP 32 LP50

50

with lever and plastic cover

JCHP 32 LP2

36 x 2

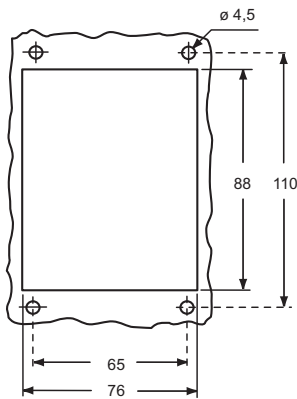
JMHP 32LP250

50 x 2

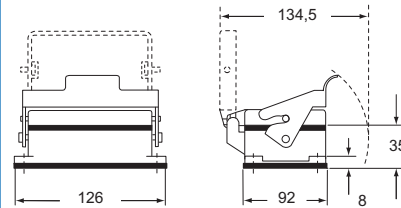
panel cut-out for bulkhead mounting housings in mm

dimensions in mm

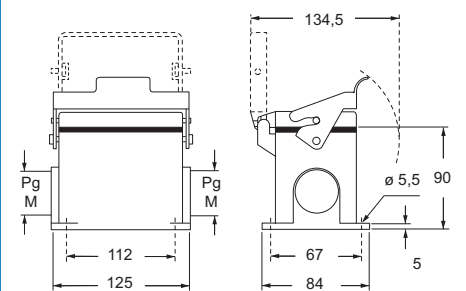
dimensions in mm



JCHI L and JCHI LP



JCHP L - JMHP P and JCHP LP - JMHP LP



NB:
the enclosures ensure IP66 protection (or IP65 for cover versions) rating when mated and locked with the closing levers.

CRUS® Type 4/4X/12

(excluding enclosures with plastic cover)



dimensions shown are not binding and may be changed without notice

inserts:	page:
CD 128 poles + ⊕	38
CDD 216 poles + ⊕	46
JDS 84 poles + ⊕	59
JSH 48 poles + ⊕	67
JNE, JSE 48 poles + ⊕	73
CCE 48 poles + ⊕	79
CQE 92 poles + ⊕	86

insert centre distance:
2 x (104 x 27) mm

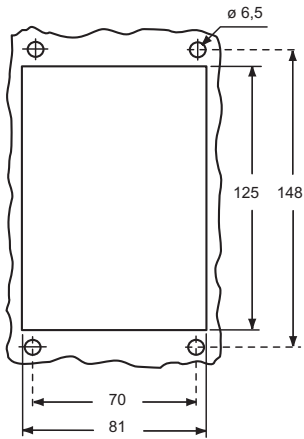
bulkhead and surface mounting enclosures with single lever

hoods with 2 pegs


description	part No.		part No.		part No.		part No.	
		entry Pg		entry M		entry Pg		entry M
bulkhead mounting enclosures with lever	JCHI 48 L	---						
bulkhead mounting enclosures with lever and plastic cover	JCHI 48 LP	---						
custodie da parete con leva	JCHP 48 L29	29 x 1/2	JMHP 48 L40	40 x 1/2				
custodie da parete con leva	JCHP 48 L36	36 x 1/2	JMHP 48 L50	50 x 1/2				
surface mounting enclosures with lever and plastic cover	JCHP 48 LP29	29 x 1/2	JMHP 48 LP40	40 x 1/2				
surface mounting enclosures with lever and plastic cover	JCHP 48 LP36	36 x 1/2	JMHP 48 LP50	50 x 1/2				
with pegs, side entry, without adaptor *					CFO 48 L29	29	MFO 48 L32	32
with pegs, side entry, without adaptor *					CFO 48 L	36	MFO 48 L40	40
with pegs, side entry, without adaptor *					CFO 48 L42	42	MFO 48 L50	50
with pegs, top entry, without adaptor *					CFV 48 L29	29	MFV 48 L32	32
with pegs, top entry, without adaptor *					CFV 48 L	36	MFV 48 L40	40
with pegs, top entry, without adaptor *					CFV 48 L42	42	MFV 48 L50	50

* enclosure without adaptor, threaded on the body, to be used only with a complete cable gland.

panel cut-out for bulkhead mounting housings in mm



NB:
the enclosures ensure IP66 protection (or IP65 for cover versions) rating when mated and locked with the closing levers.

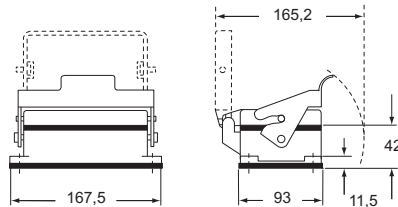
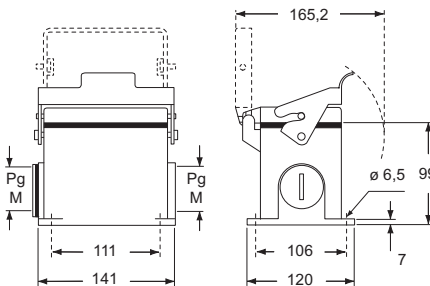
CRUS® Type 4/4X/12

(excluding enclosures with plastic cover)

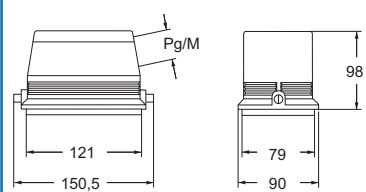


dimensions shown are not binding and may be changed without notice

dimensions in mm

JCVI L - LP

JCVP L - LP and JMVP L - LP


dimensions in mm

CFO L and MFO L

CFV L and MFV L
